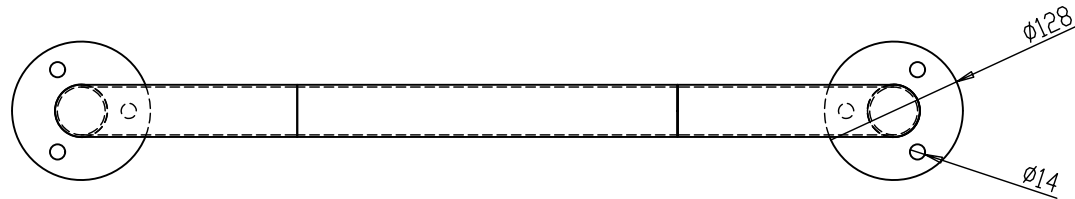
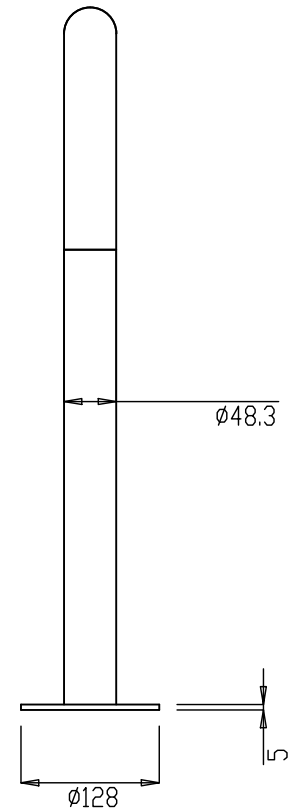
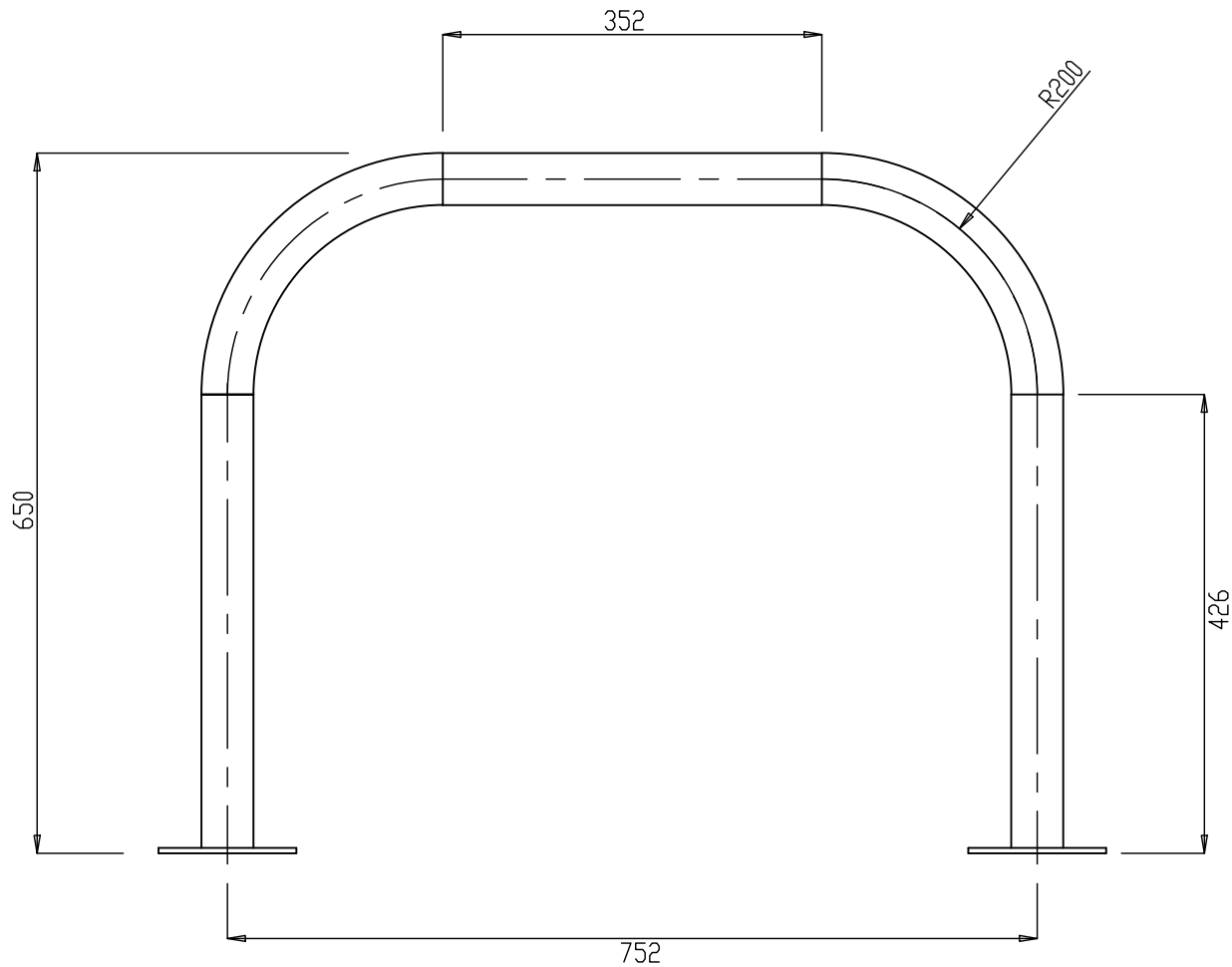


GALVANISED STEEL POWDER COATED SURFACE MOUNT BARRIER



NOTES:

- MATERIAL: TUBE 48mm x 3mm
- DIMENSIONS ARE IN MILLIMETERS



REVISION DETAILS:	REV:	DATE:
PROJECT:		
CLIENT:		
TITLE: GALVANISED STEEL P/COATED SURFACE MOUNT BARRIER		
DWG NO: EVC80040C-V01-R0	REVISION:	
DRAWN: IR	DATE: 24/08/2020	
SCALE: NTS	SIZE: A4	
ROLEC		
RALPHS LANE, FRAMPTON WEST, BOSTON, LINCOLNSHIRE, ENGLAND, PE20 1QU		
WWW.ROLECSERV.COM T: +44 (0)1205 724754		